

THIS DRAWING IS UNPUBLISHED.

RELEASED FOR PUBLICATION

ALL RIGHTS RESERVED.

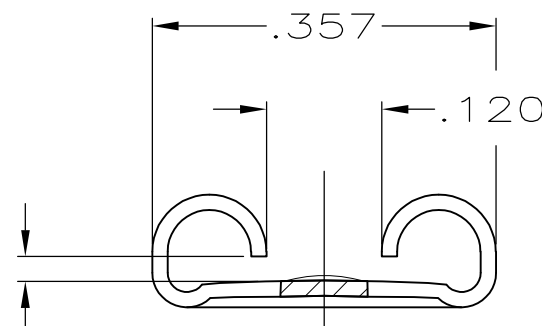
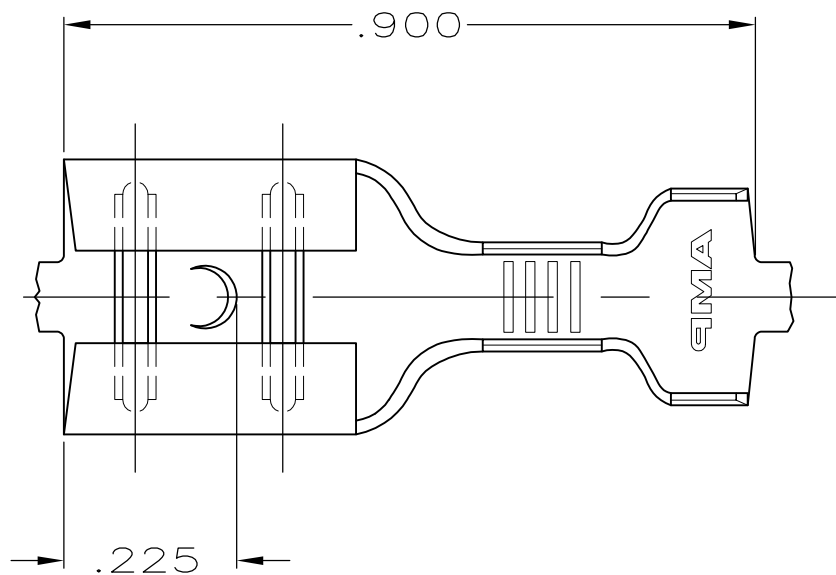
© COPYRIGHT - By -

LOC AF DIST 50

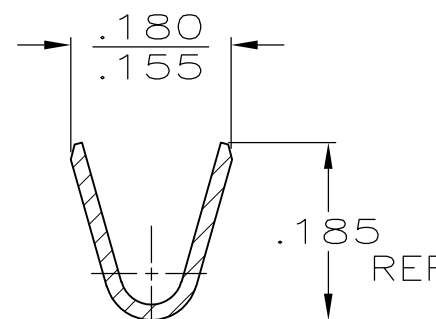
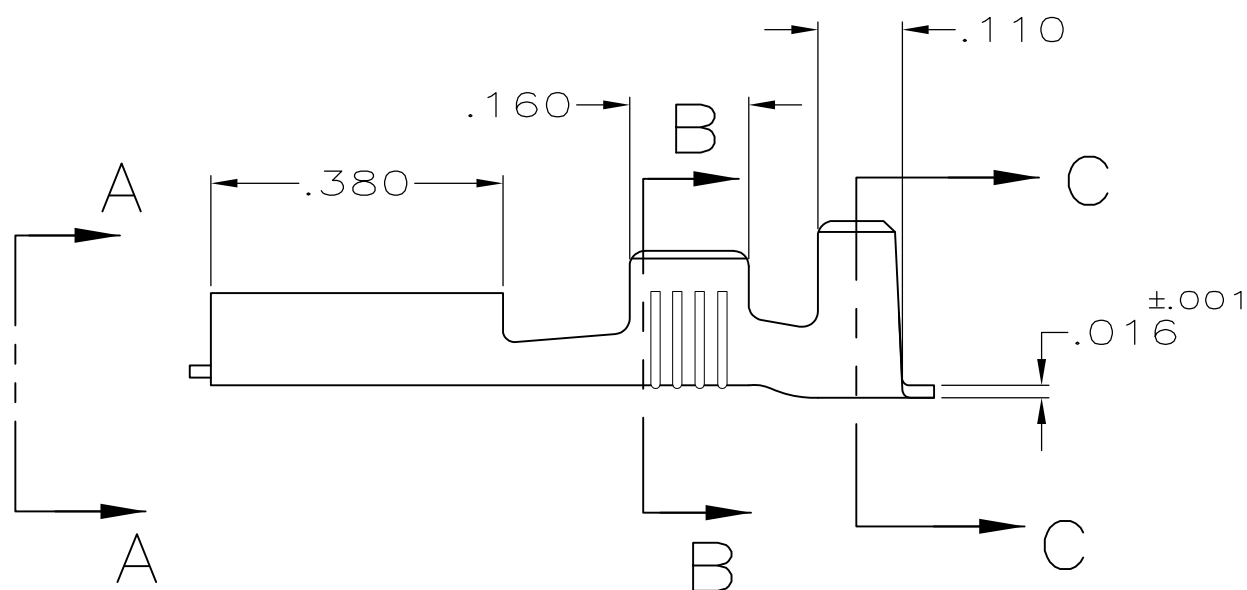
REVISIONS

P	LTR	DESCRIPTION	DATE	DWN	APVD
	K	REVISED PER ECR-12-013459	29NOV2012	KH	PD

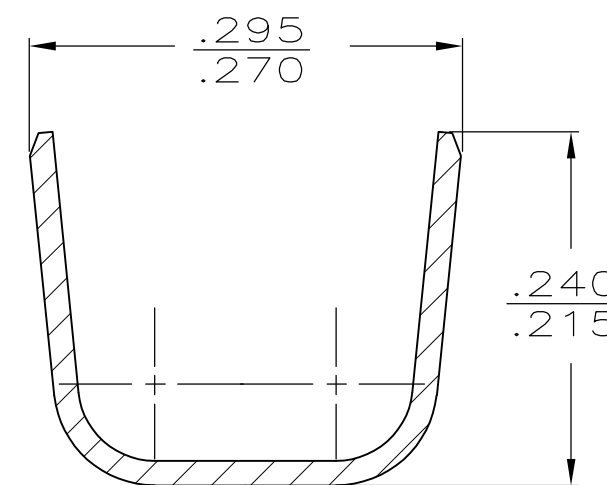
1 CONTINUOUS STRIP ON REELS



FITS .312 SERIES FASTON TABS
VIEW A-A
SCALE 5:1


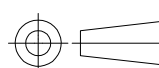


SECTION B-B
SCALE 5:1



SECTION C-C
SCALE 5:1

.110-.210 OR (2).110 MAX	16-12 AWG	.032	61399-1
INSULATION RANGE	WIRE SIZE	MATING TAB THK ±.001	PART NO

THIS DRAWING IS A CONTROLLED DOCUMENT.		DWN JR RUTH 10/28/91	 TE Connectivity		
DIMENSIONS: INCHES		CHK MS FEHER 10/28/91			NAME
		APVD C MEYERS 10/28/91			
TOLERANCES UNLESS OTHERWISE SPECIFIED:		PRODUCT SPEC	RECEPTACLE, FASTON, .312 SERIES		
0 PLC ± -		APPLICATION SPEC	SIZE	CAGE CODE	
1 PLC ± -		114-2036	DRAWING NO		
2 PLC ± -		WEIGHT -	A300779 C-61399		
3 PLC ± .010		RESTRICTED TO			
4 PLC ± -		CUSTOMER DRAWING			
ANGLES ± -		SCALE 4:1	SHEET 1 OF 1	REV K	
FINISH					
MATERIAL BRASS					
FINISH TIN					